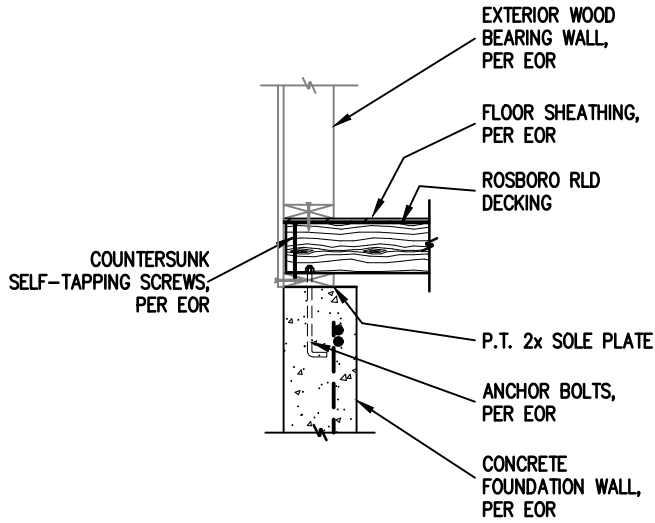
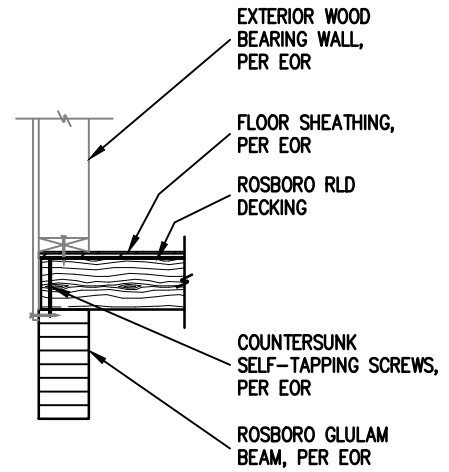


ROSBORO LAMINATED DECKING DETAILS



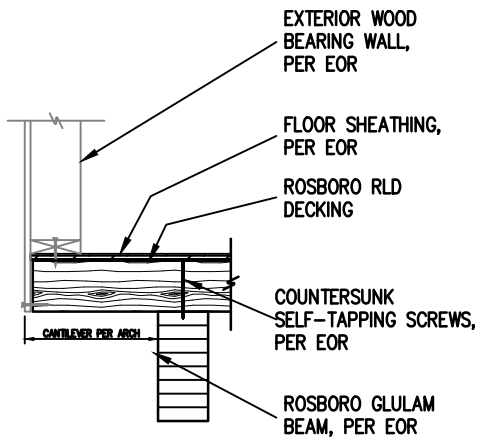
TYP. FLOOR PANEL @ PERIMETER FOUNDATION WALL

1 SECTION
NTS



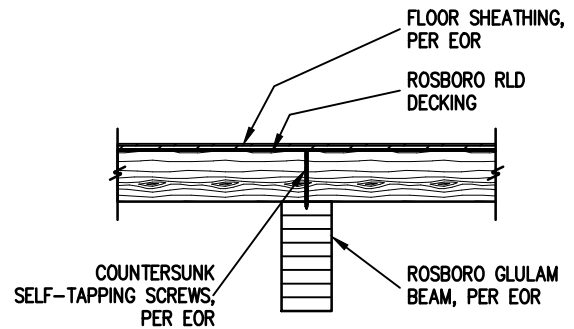
TYP. FLOOR PANEL @ PERIMETER BEAM

2 SECTION
NTS



TYP. FLOOR PANEL @ PERIMETER BEAM CANTILEVER

3 SECTION
NTS



TYP. CONTINUOUS FLOOR PANEL @ INTERIOR BEAM

4 SECTION
NTS



**WESTERN
STRUCTURES™**

CUSTOM GLULAM BY ROSBORO

P.O. Box 20 * Springfield, OR 97477-0086 * (541) 746-8411 * FAX (541) 726-8919

Application:

FLOOR FRAMING

Date:

3/30/2021

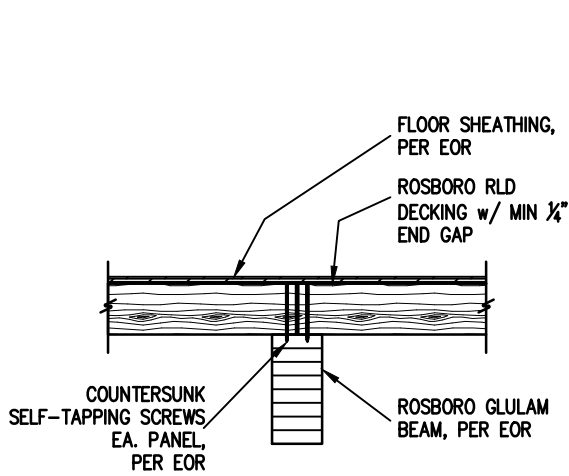
Scale:

NTS

Sheet:

1 OF 2

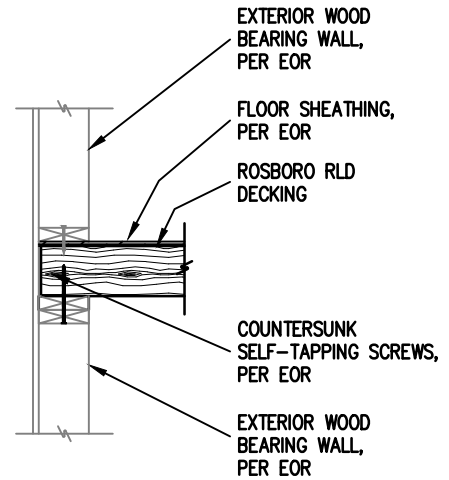
ROSBORO LAMINATED DECKING DETAILS



TYP. FLOOR PANEL JOINT @ INTERIOR BEAM

5 SECTION

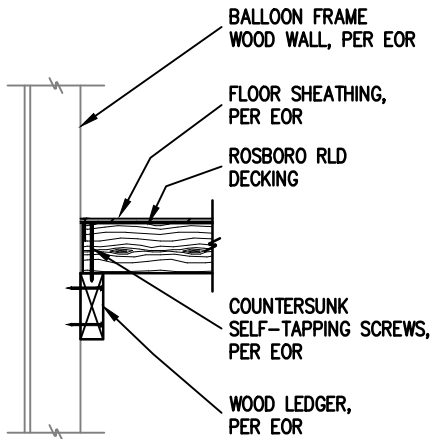
NTS



TYP. FLOOR PANEL @ EXTERIOR BEARING WALL

6 SECTION

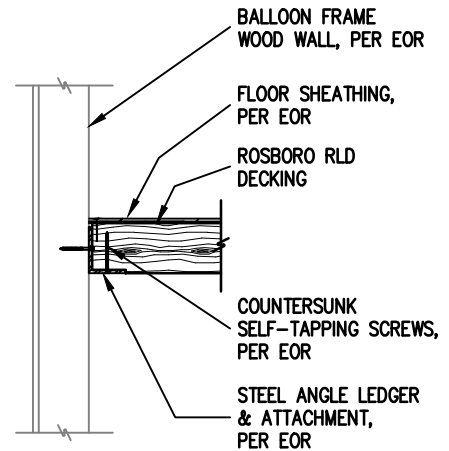
NTS



TYP. FLOOR PANEL @ BALLOON WALL

7 SECTION

NTS

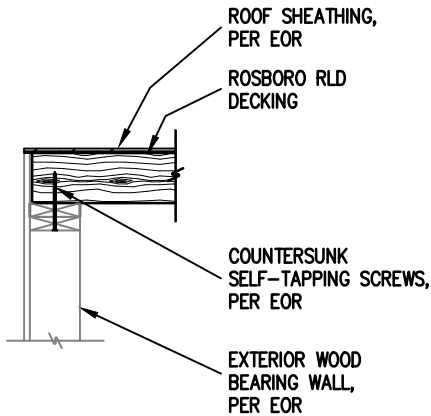


ALT. FLOOR PANEL @ BALLOON WALL

8 SECTION

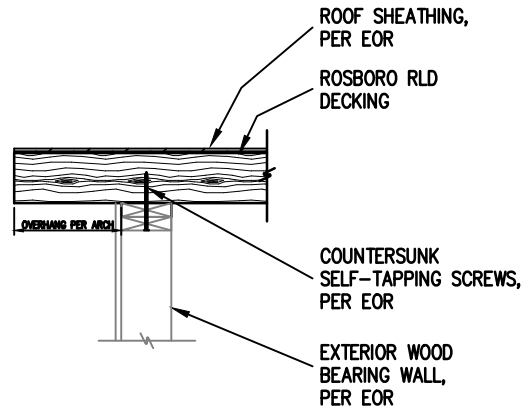
NTS

ROSBORO LAMINATED DECKING DETAILS



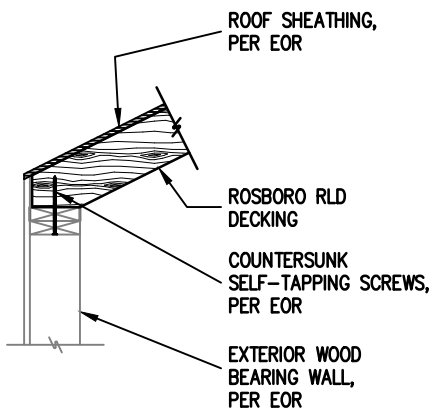
TYP. ROOF PANEL ● EXTERIOR BEARING WALL

1 SECTION
NTS



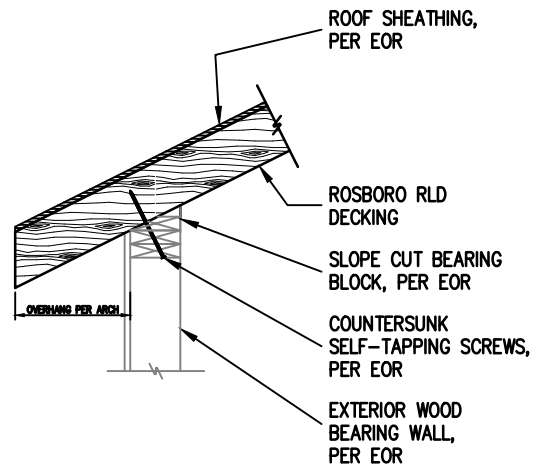
ROOF PANEL OVERHANG ● EXTERIOR BEARING WALL

2 SECTION
NTS



PITCHED ROOF PANEL ● EXTERIOR BEARING WALL

3 SECTION
NTS



PITCHED ROOF PANEL OVERHANG ● EXTERIOR BEARING WALL

4 SECTION
NTS



**WESTERN
STRUCTURES™**

CUSTOM GLULAM BY ROSBORO

P.O. Box 20 * Springfield, OR 97477-0086 * (541) 746-8411 * FAX (541) 726-8919

Customer:

ROOF FRAMING

Date:

3/30/2021

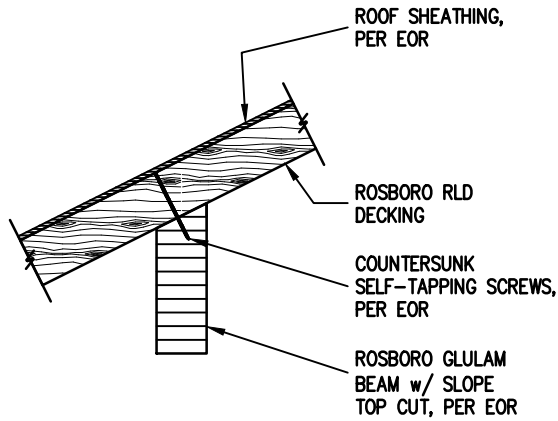
Scale:

NTS

Sheet:

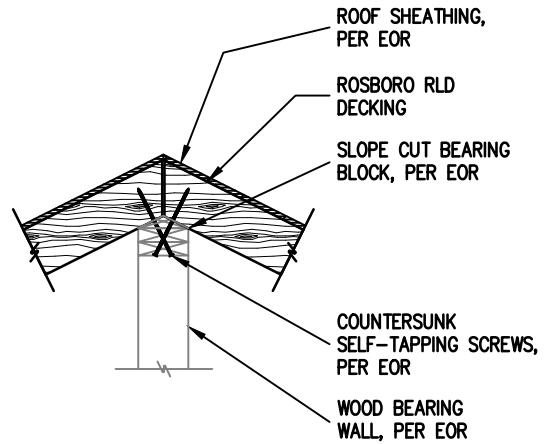
1 OF 2

ROSBORO LAMINATED DECKING DETAILS



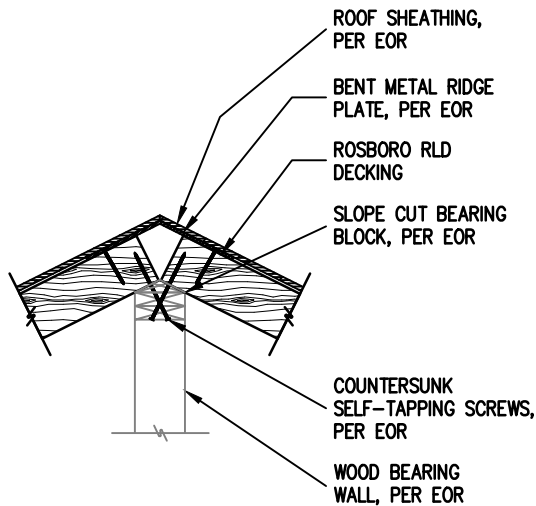
**PITCHED ROOF PANEL OVERHANG ©
INTERIOR BEAM**

5 SECTION
NTS



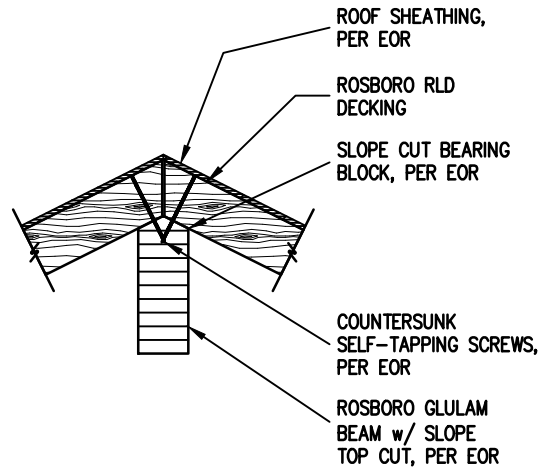
**TYP. PITCHED ROOF PANEL RIDGE ©
INTERIOR BEARING WALL**

6 SECTION
NTS



**ALT. PITCHED ROOF PANEL RIDGE ©
INTERIOR BEARING WALL**

7 SECTION
NTS



TYP. PITCHED ROOF PANEL RIDGE © INTERIOR BEAM

8 SECTION
NTS